



REFRIGERATION

SERVING THE FOOD INDUSTRY SINCE 1951

45.7 INCH ICE CREAM REACH IN FREEZER WITH FLAT GLASS TOP

Item: 45293 | Model: FR-CN-0320

OMCAN'S FR-CN-0320 ICE CREAM FREEZER is designed to merchandise and provide increased sales of frozen novelties and seasonal specialities. Its flat glass top puts your products in clear view of your customers. With 11 cu.ft. of storage, this freezer gives a spacious interior to keep an abundance of frozen products. For ice cream parlours, convenience stores and supermarkets, the FR-CN-0320 ice cream freezer is a sleek, attractive unit that is guaranteed to keep up with the demands of your establishment.



WARRANTY
PARTS AND LABOR



Authorized Dealer



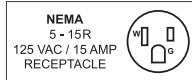
REFRIGERATION

45.7-INCH ICE CREAM REACH IN FREEZER WITH FLAT GLASS TOP



Features:

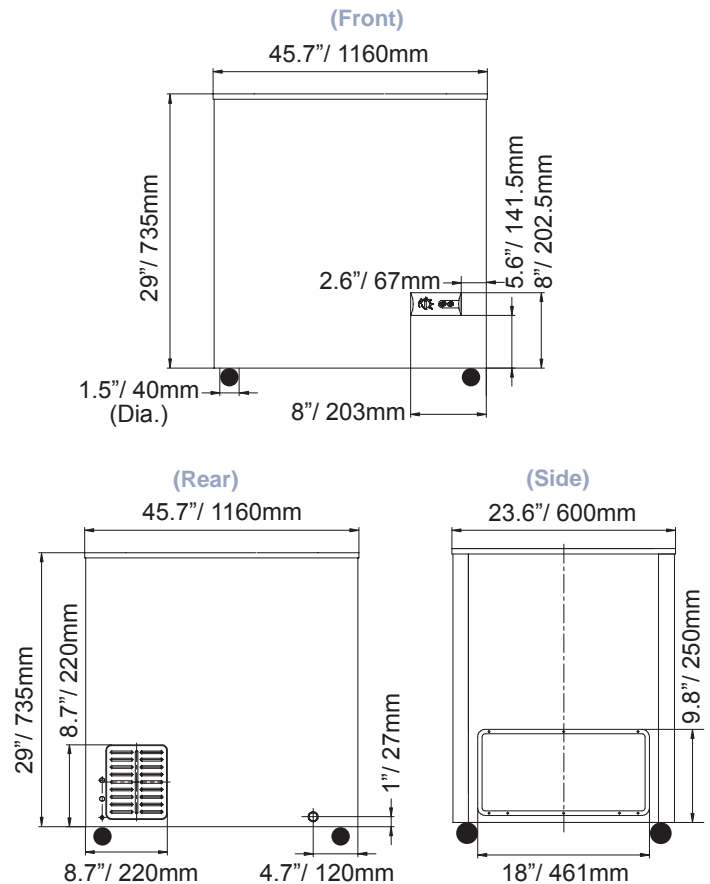
- 11 cu.ft. of storage
- Material: (exterior) Cold-Roll Steel Sheet; (Interior) Embossed Aluminum
- Casters and 1 basket included
- Designed with sliding door and a built-in lock for security
- Replacement Basket: Item# 43825



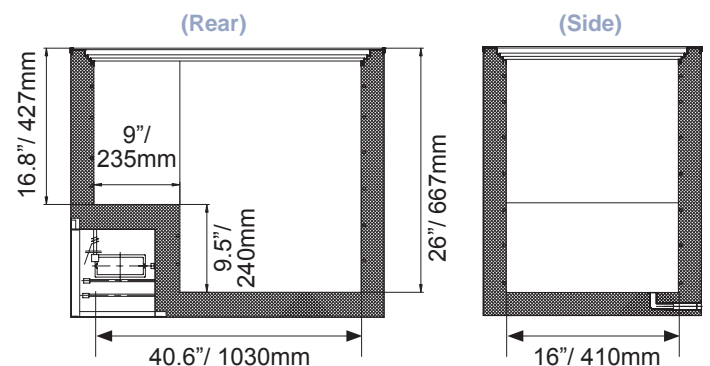
TECHNICAL SPECIFICATION

ITEM NUMBER	45293
MODEL	FR-CN-0320
FREEZER CAPACITY	11 cu.ft
BUILT-IN LOCK	YES
NUMBER OF BASKETS	1
TEMPERATURE	≤-18°C
REFRIGERANT	R290
ELECTRICAL	110V/60Hz/1Ph
AMPS	2.1A
NET WEIGHT	45 kg/ 99lbs
PACKAGING WEIGHT	50.8 kg/ 112lbs
NET DIMENSIONS (DWH)	23.6" x 45.7" x 30.5" / 600 x 1160 x 775mm
PACKAGING DIMENSIONS	48" x 25.8" x 33" / 1220 x 655 x 840mm

TECHNICAL DRAWING WITH DIMENSIONS (EXTERIOR)



TECHNICAL DRAWING WITH DIMENSIONS (INTERIOR)



OMCAN INC.

Telephone: 1-800-465-0234
 Fax: (905) 607-0234
 Email: sales@omcan.com
 Website: www.omcan.com



Follow us to keep up to date with the latest news and offers

